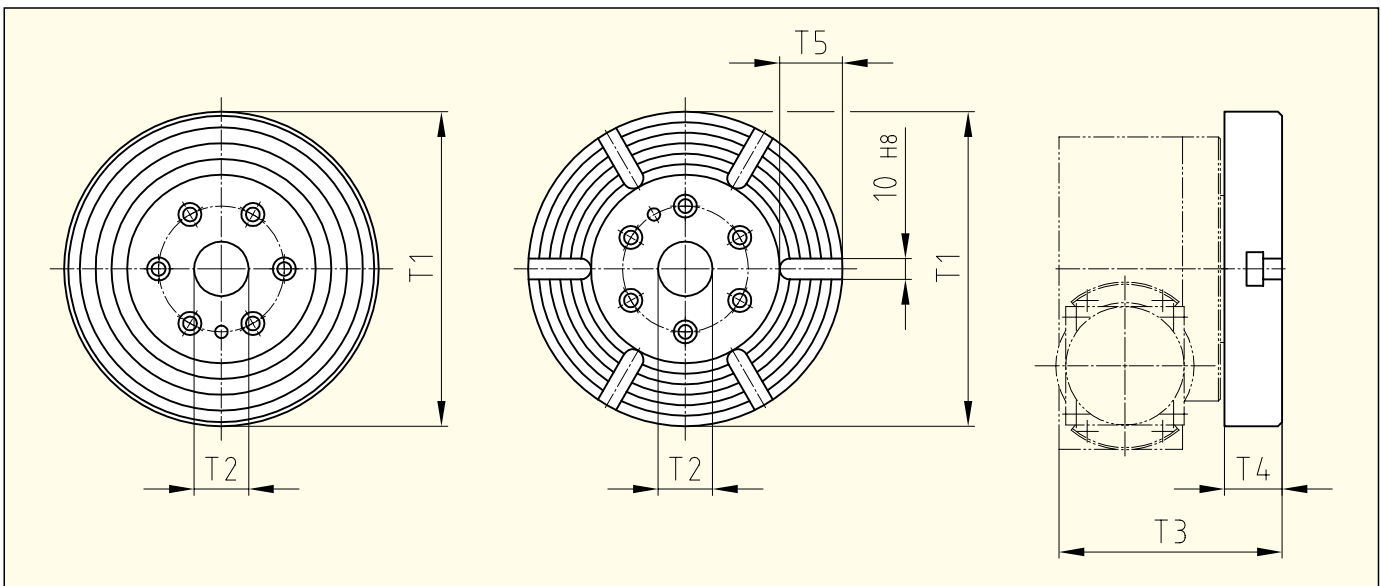


## 6.6 Accessories – to be ordered separately

- Reference switch PNP  
The inductive switches are available both as PNP normally closed as well as PNP normally open (10...30V). The free cable length is approx. 2m.
- Base plate BV/BH  
For the adaptation on the surroundings, base plate type BV (vertical shaft arrangement), or type BH (horizontal module axis) is available.
- Table plate T  
For receiving, e. g. work-pieces, instruments and other parts, table plates in various sizes and with or without T-slots are available.



Size	Type	T1	T2	T3	T4	T-slot DIN 650 number	T5	T6	Utilization with horizontal module axis	Weight (kg)	
										without slot	with slot
100	TK	150	26	115.5	27.5	4	30	8H7	x	3.2	3.0
	TG	200	26	115.5	27.5	4	55	8H7	–*	5.9	5.5
200	TK	200	26	113	27.5	4	40	8H7	x	5.9	5.5
	TG	300	26	123	37.5	6	90	8H7	–*	17.1	16.5
300	TK	300	26	155	37.5	6	80	12H7	x	17.1	16.5
	TG	400	26	155	37.5	6	130	12H7	–*	24.3	23.5

\* The table plate protrudes over the external contour of the rotary module! On request, a special base plate is available.  
All dimensions in mm. Subject to dimensional and design modifications!

- Coupling CP  
Corresponding to the selected motor, a coupling suitable for it has to be selected.
- Motor flange MF  
The motor flange serves to adapt the motor to the coupling housing.

**Accessories rotary module ARS** – to be ordered separately

**Reference switch**

		—	PNP	-O	-ARS
Quantity					
Designation	<b>PNP</b>				
Type	<b>O</b> Normally closed <b>S</b> Normally open				
Version	<b>ARS</b> Applicable for all types of module				

**Coupling**

		—	CP	-100	-S
Quantity					
Designation	<b>CP</b>				
Size	<b>100, 200, 300</b>				
Type	<b>S</b> Special version (the motor has to be specified)				

**Motor flange**

		—	MF	-100	-S
Quantity					
Designation	<b>MF</b>				
Size	<b>100, 200, 300</b>				
Version	<b>S</b> Special version (the motor has to be specified)				